

VULCAN DRIFTER RIDERS



[HOME](#) | [FORUM](#)

Required Kawasaki Parts List For Solo to Double Seat

[DOWNLOADABLE PDF](#)

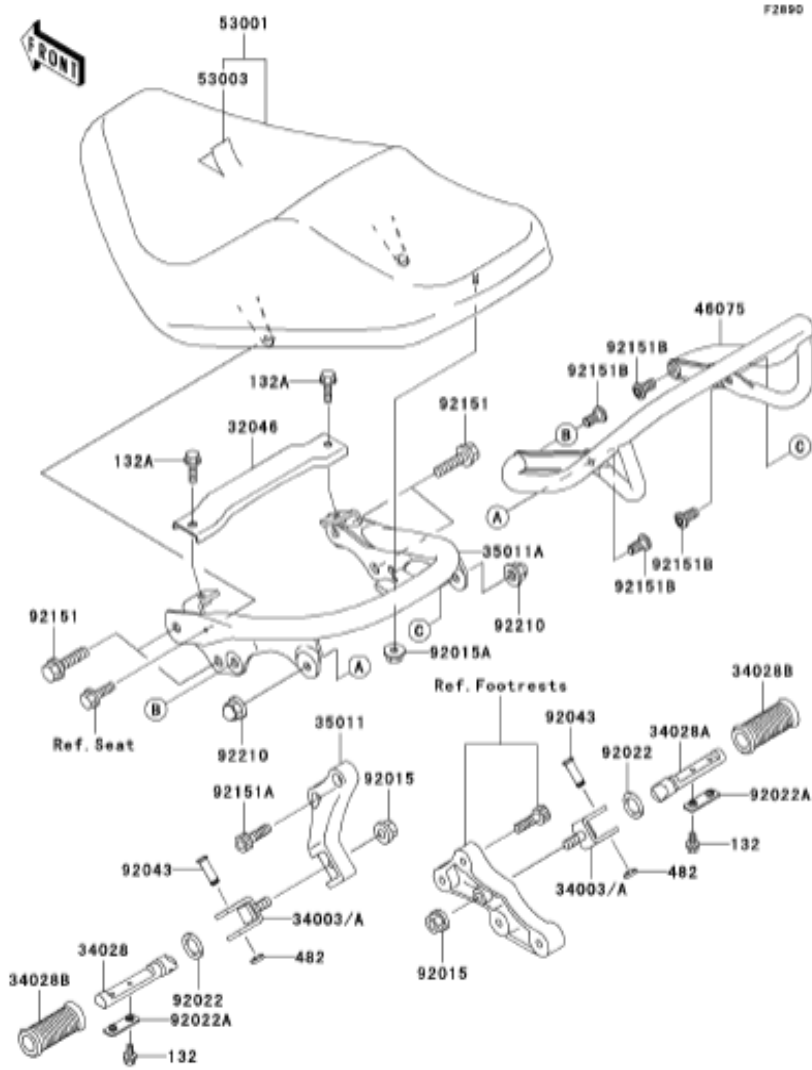
If you are moving from a solo saddle to any double saddle there are certain additional parts you need which did not come with your bike.

This includes underseat hardware and footpegs. If you plan to use pegs other than OEM, you still need some of the peg hardware - including the step holders and rear step stay.

You should recheck these numbers to ensure they apply to your model - some may have changed.

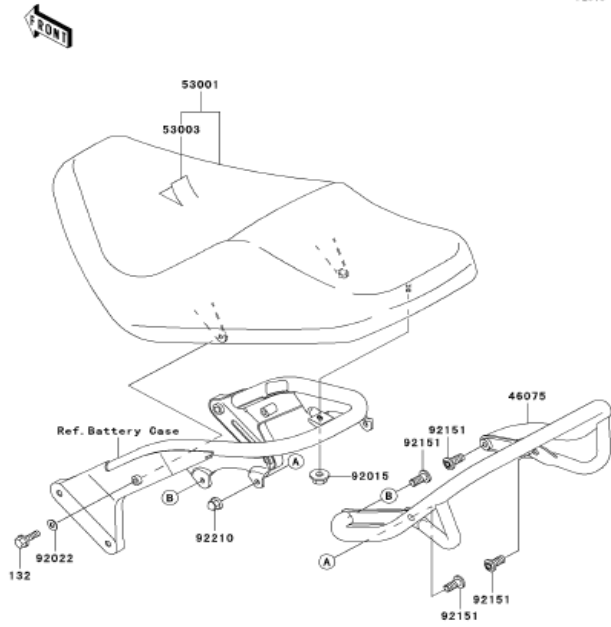
Part No.	Qty	Part Description
32046-1478	1	Bracket-Seat
34003-1292	2	Holder-Step, RR
34028-1219	1	Step, RR, LH
34028-1220	1	Step, RR, RH
34028-1221	2	Step, RR, Rubber
35011-1770	1	Stay, Rear step, LH
35011-1968	1	Stay, Seat
92015-1428	2	Nut, Flanged, 10mm
92015-1603	1	Nut
92022-1568	2	Washer, 20 x 30 x 2.3
92022-1874	2	Washer, Step
92043-1339	2	Pin
92151-1440	4	Bolt, Flanged, 10 x 18
92151-1525	2	Bolt, Socket, 8 x 25
92210-1189	2	Nut, Cap, 10mm
132J0510	4	Bolt, Flanged, Small
132J0816	2	Bolt, Flanged, Small 8
482L7000	2	Circlip-Type-E

DRIFTER 1500



DRIFTER 800

F2510



© Saftek Inc. 2016

Not affiliated with Kawasaki. Kawasaki, Vulcan and Drifter are trademarks of Kawasaki.